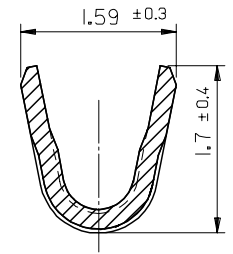
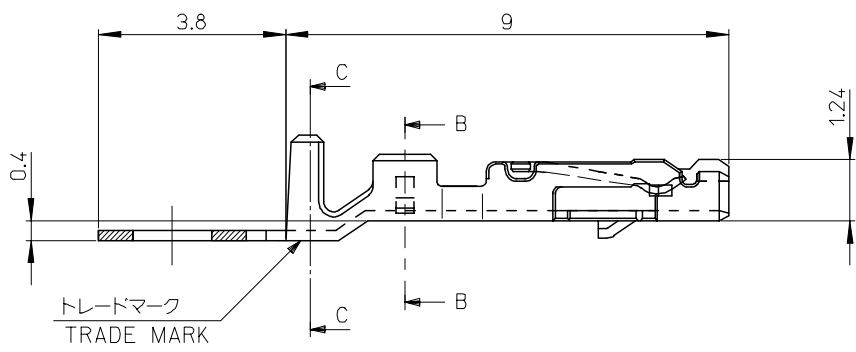
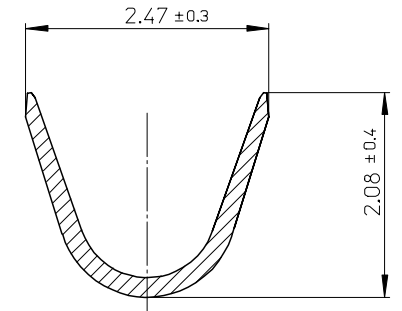


注記
NOTES

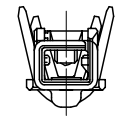
1. 使用材料 : 銅合金, 錫メッキ (t=0.2)
MATERIAL : PRE-TINNED COPPER ALLOY
2. 適合ハウジング : 501646 シリーズ
APPLICABLE HOUSING : 501646 SERIES
3. 電線仕様
CABLE SPEC.
AWG : #22-26
適用電線範囲 : 0.126~0.34mm²
WIRE RANGE
被覆外形 : $\phi 0.95 \sim \phi 1.5\text{mm}$
INS. RANGE



SECTION B-B
(SCALE:20-1)



SECTION C-C
(SCALE:20-1)



501647-1100	パラ状 LOOSE
501647-1000	連続状 CHAIN
MATERIAL NO.	端子形状 FORM

RELEASED EC NO: J2006-0146 DRWN: NITO 2005/07/20 CHKD: ASAKAWA 2005/07/20 APPR: S. ICHIKAWA 2005/07/20	GENERAL TOLERANCES (UNLESS SPECIFIED)		DIMENSION STYLE MM ONLY		SCALE 10:1	DESIGN UNITS METRIC	THIRD ANGLE PROJECTION	
	10 UNDER	±0.2	DRAWN BY N. ITO	DATE '05/07/04	TITLE 2.0MM W/B DUAL CONN DIP RCPT TERM -LEAD FREE-			
	10 OVER 30 UNDER	±0.25	CHECKED BY ASAKAWA	DATE '05/07/04				
	30 OVER	±0.3	APPROVED BY ICHIKAWA	DATE '05/07/04	MOLEX INCORPORATED			
	ANGULAR	±1 °	MATERIAL NO. 501647-1*00	DOCUMENT NO. SD-501647-001				
DRAFT WHERE APPLICABLE MUST REMAIN WITHIN DIMENSIONS		SIZE A3	THIS DRAWING CONTAINS INFORMATION THAT IS PROPRIETARY TO MOLEX INCORPORATED AND SHOULD NOT BE USED WITHOUT WRITTEN PERMISSION					